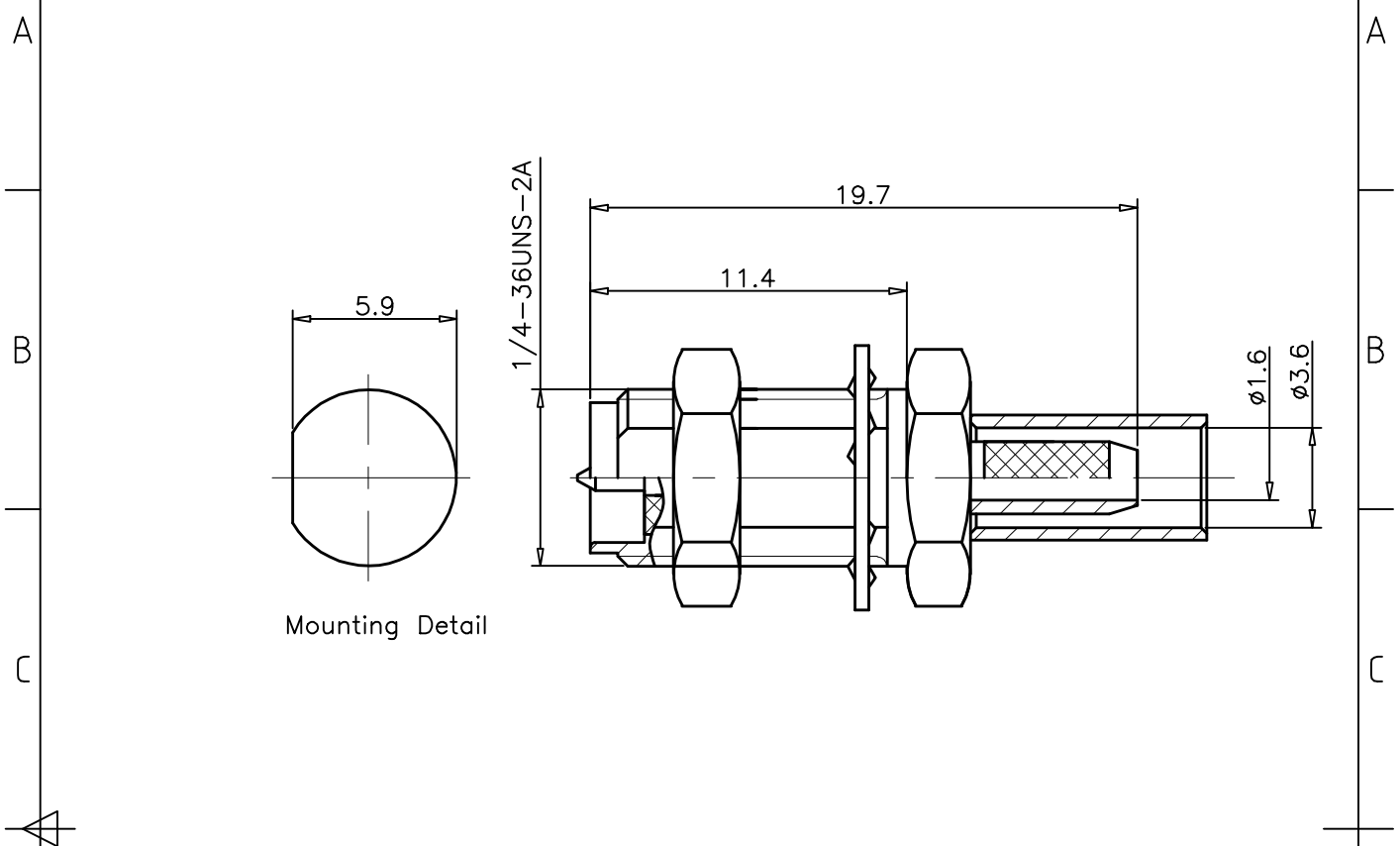


1	2	3	4	
RevNo	Revision note	Date	Signature	Checked
00	Sketch Only	6/11/14	Teresa	Simon



Interface Per: Interface Per: MIL-STD-348, IEC 60169-15
 Material & Finishing:
 1. Center conductor: Brass, Gold Plating
 2. Insulators: PTFE
 3. Spring Washer: Beryllium Copper, Gold Plating
 4. Body : Brass, Gold Plating
 5. Ferrule: Brass, Nickel Plating

RoHS Compliant.

ALL DIMENSIONS ARE IN MILLIMETERS AND [INCHES]		Title			
KERUI ELECTRONIC CO;LTD		RPSMA male crimp for RG316D cable			
THESE DRAWING & SPEC. ARE THE PROPERTY OF KERUI ELECTRONIC CO;LTD AND SHALL NOT BE REPRODUCED, OR COPIED OR USED AS THE BASIS FOR THE MANUFACTURE OR SALE OF APPARATUS OR DEVICES WITHOUT THEIR EXPRESS WRITTEN CONSENT.	UNLESS OTHERWISE NOTED ALL SURFACES FINISHED TO 64/MAX. ALL TOLERANCES ARE: DECIMALS FRACTIONS ANGLES x ± 1.0 ±1/64 x' ± 1" x.x ± 0.5 x'x' ± 0.5"	Drawn by	Ckd by	Appd by	Date
		Teresa	Simon	Richard	6/16/2014
Scale		Sheet 1 of 1		10 1110 116 01	
4:1					